

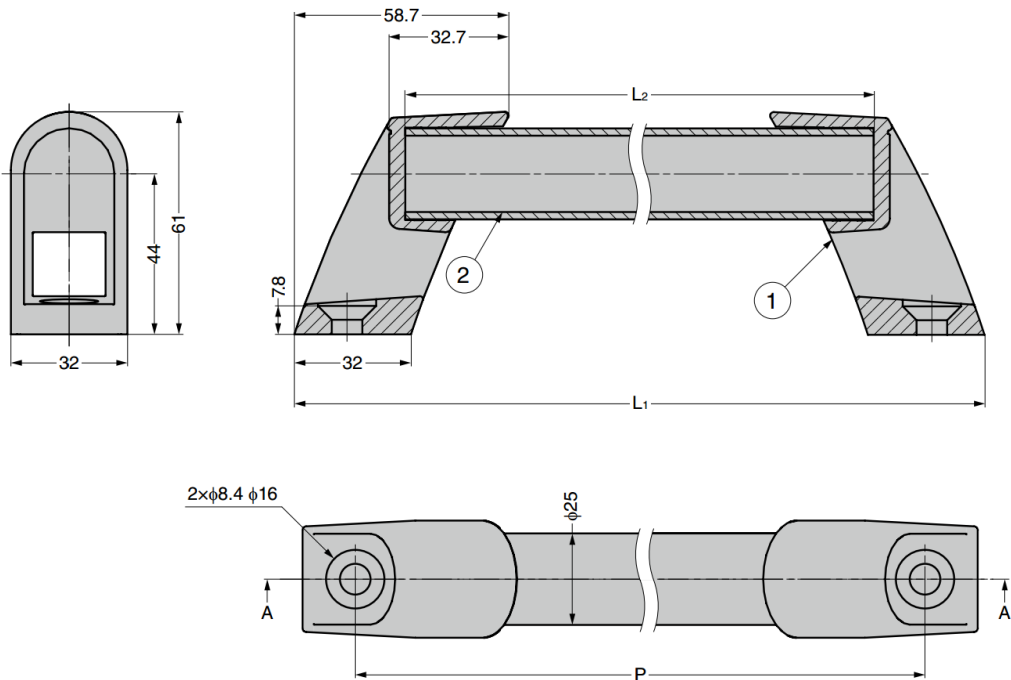
GAPH Aluminium Pipe Handle

Features

- High precision assembly of pipe and bracket
- Possible to fix with screws from the front
- 4 pipe length options, other desired lengths can be achieved by cutting the pipe
- Other handle sizes are possible upon request (MOQs apply)

Notes

- Push the pipe in strongly when assembling to suppress looseness
- For single-sided mount, cannot be used for double-sided mount
- Recommended screw: countersunk head M8



No.	Part Name	Material	Finish / Colour
①	Bracket	PA	Black
②	Pipe	Aluminium Alloy	Anodised Silver

Bracket

Part No.
GAPH-B

Pipe

Part No.	L ₁	L ₂	P
GAPH-P300	328.9	268	300
GAPH-P400	428.9	368	400
GAPH-P500	528.9	468	500
GAPH-P600	628.9	568	600